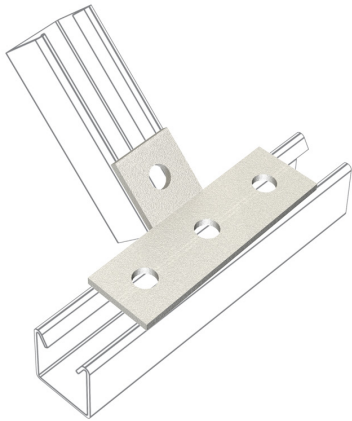


**PRODUCT CODE: MP16**  
CHANNEL BRACKET



**DESCRIPTION**

45° Tee Bracket

**FINISH**

Hot Dipped Galvanised

**MATERIAL**

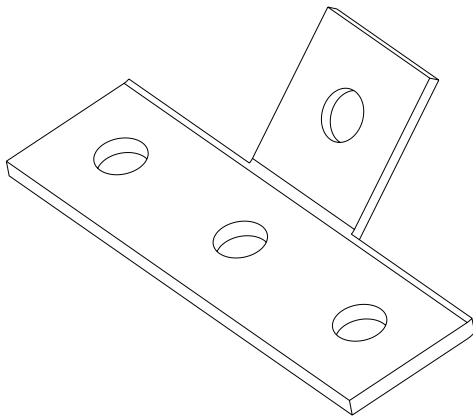
Steel

**PACKAGING**

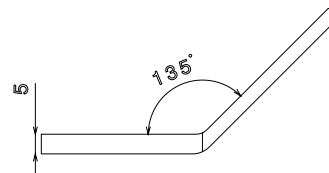
Packed in qty 25

**ADDITIONAL NOTES**

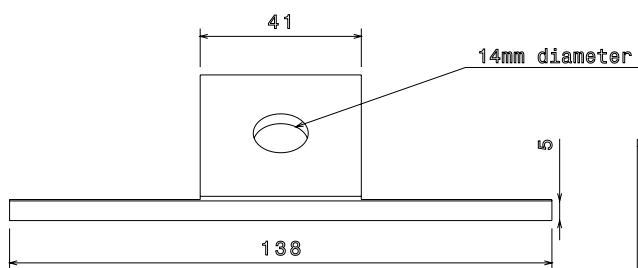
Compliant to LU Standard 1-085 (for use on surface & sub-surface locations)



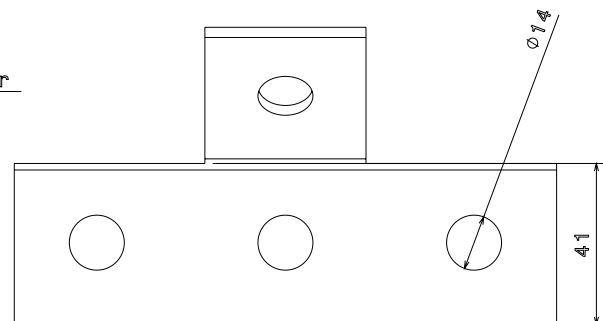
Isometric view



Side view



Front view



Top view